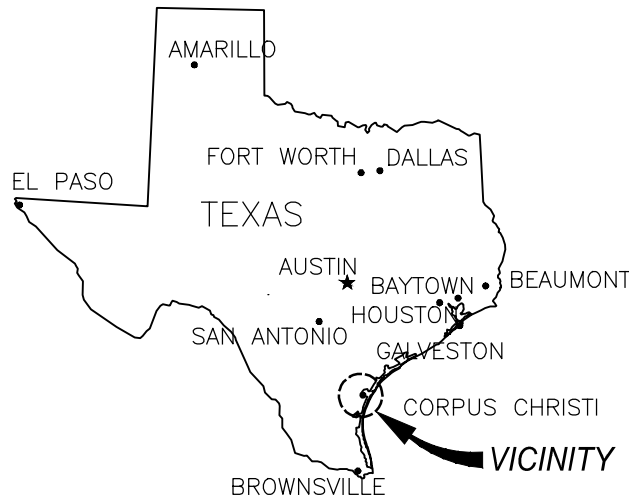


VICINITY MAP

SCALE: NTS



AREA MAP

SCALE: NTS

NOTES:
 ADJACENT TO: CORPUS CHRISTI SHIP CHANNEL, INNER HARBOR
 VERTICAL DATUM: MLLW
 HORIZONTAL DATUM: TXSPS NAD83 (NSRS2011)
 ADJACENT PROPERTY OWNERS: PORT OF CORPUS CHRISTI,
 MAGELLAN TERMINALS HOLDINGS LP AND THE FORDYCE COMPANY.

LAT: N27.817425
 LONG: W97.453589

PRELIMINARY - FOR PERMIT PURPOSES ONLY

REV

0

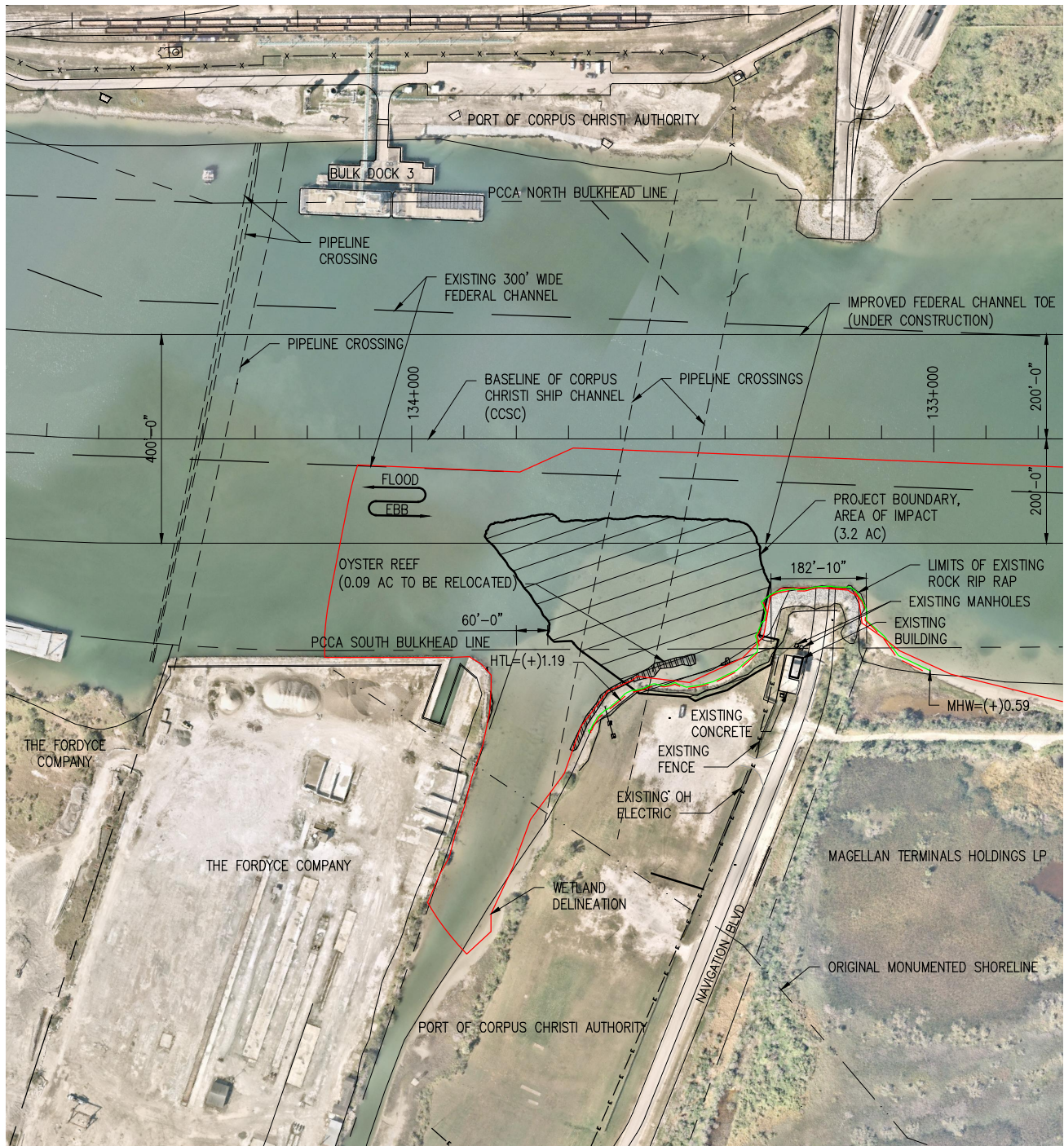
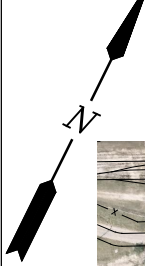
LANIER & ASSOCIATES
CONSULTING ENGINEERS
 INCORPORATED

LA: EF-1120 TX: F-2981
 NEW ORLEANS • BEAUMONT • CORPUS CHRISTI • HOUSTON

PORT OF CORPUS CHRISTI AUTHORITY
 CORPUS CHRISTI NUECES COUNTY, TEXAS

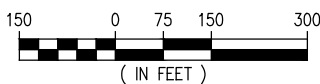
FIRE BOAT DOCK
FLOATING DOCK FACILITY
COVER SHEET, VICINITY MAP & SHEET INDEX

DATE 1/17/2022
 DESIGN DLK
 DRAWN WPA
 CHECK RRM
 JOB NO 12002
 SHEET No.
1 OF 11



CHANNEL MAP PROVIDED BY USACE AND BASE
MAP PROVIDED BY PORT OF CORPUS CHRISTI
AUTHORITY (PCCA).

EXISTING SITE PLAN



NOTES:

1. ADJACENT TO: CORPUS CHRISTI SHIP CHANNEL, INNER HARBOR
2. VERTICAL DATUM: MLLW
3. HORIZONTAL DATUM: TXSPS NAD83 (NSRS2011)
4. ADJACENT PROPERTY OWNERS: PORT OF CORPUS CHRISTI, MAGELLAN TERMINALS HOLDINGS LP AND THE FORDYCE COMPANY.

LAT: N27.817425
LONG: W97.453589

PRELIMINARY - FOR PERMIT PURPOSES ONLY

REV
0



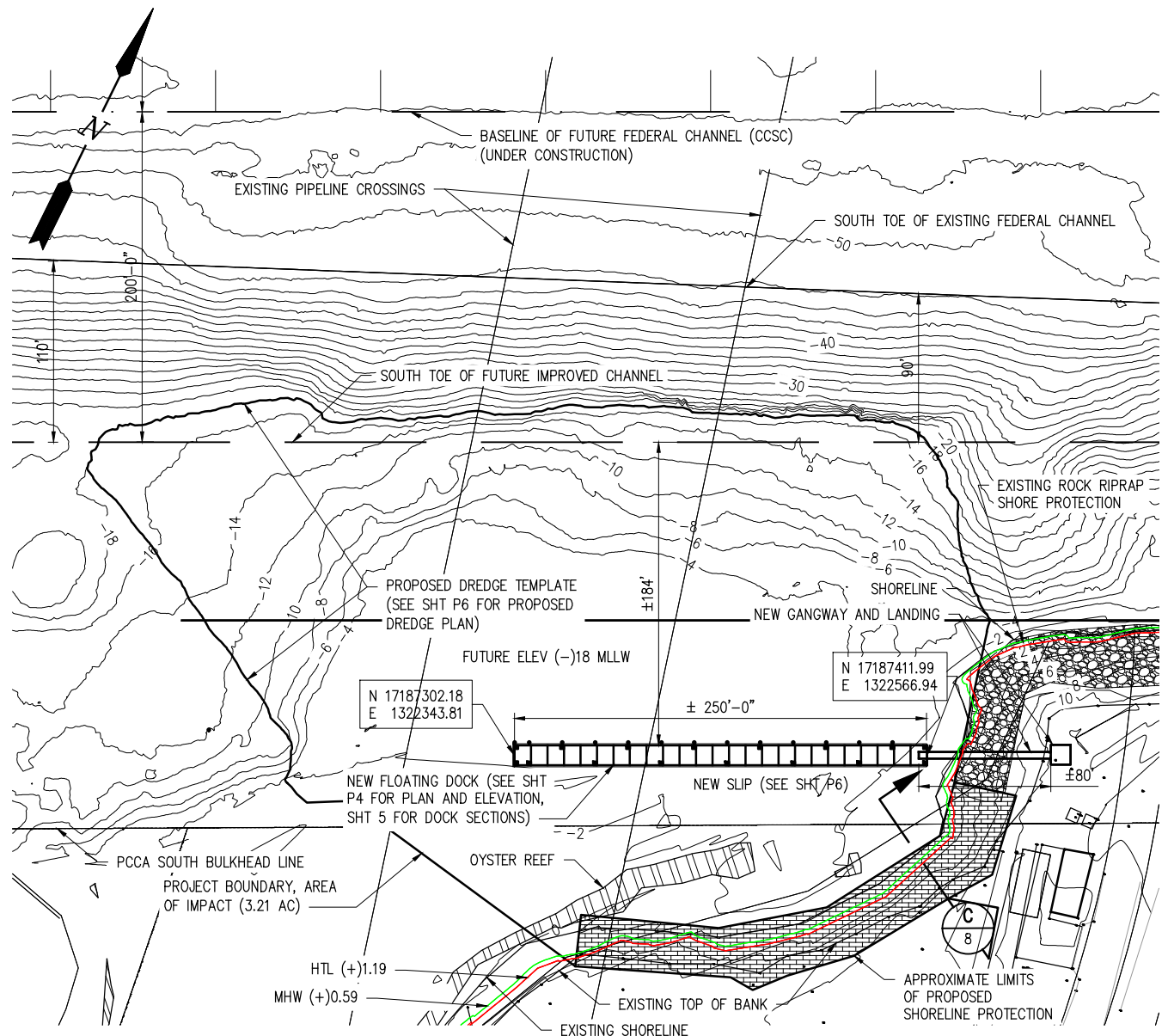
**LANIER & ASSOCIATES
CONSULTING ENGINEERS
INCORPORATED**

LA: EF-1120 TX: F-2981
NEW ORLEANS • BEAUMONT • CORPUS CHRISTI • HOUSTON

PORT OF CORPUS CHRISTI AUTHORITY
CORPUS CHRISTI NUECES COUNTY, TEXAS

**FIRE BOAT DOCK
FLOATING DOCK FACILITY
EXISTING SITE PLAN**

DATE 1/17/2022
DESIGN DLK
DRAWN WPA
CHECK RRM
JOB NO 12002
SHEET No.
2 OF 11

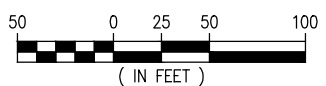


PROPOSED SITE PLAN

- NOTES:**
1. ADJACENT TO:CORPUS CHRISTI SHIP CHANNEL, INNER HARBOR
 2. VERTICAL DATUM: MLLW
 3. HORIZONTAL DATUM: TXSPS NAD83 (NSRS2011)
 4. ADJACENT PROPERTY OWNERS: PORT OF CORPUS CHRISTI, MAGELLAN TERMINALS HOLDINGS LP AND THE FORDYCE COMPANY.
 5. SCOPE OF WORK INCLUDES CONSTRUCT NEW FLOATING DOCK AND GANGWAY, INSTALL MONOPILE BREASTING STRUCTURES, INSTALL ADDITIONAL DOCK PILES AND DREDGING.
 6. HTL = (+)1.19'; MHW = (+)0.59'

CHANNEL MAP PROVIDED BY USACE AND BASE MAP PROVIDED BY PORT OF CORPUS CHRISTI AUTHORITY (PCCA).

LAT: N27.817425
LONG: W97.453589



| IMPACT SUMMARY TABLE | | | |
|------------------------|-------------|----------------------------------|-------------------|
| PROPOSED FEATURE | IMPACT TYPE | HABITAT TYPE | MAXIMUM AREA (SF) |
| DREDGE TEMPLATE | PERMANENT | UNVEGETATED / SUBMERGED | 139,768 |
| STEEL DOCK PILES | PERMANENT | UNVEGETATED / SUBMERGED / AERIAL | 145 |
| FLOATING CONCRETE DOCK | PERMANENT | UNVEGETATED / FLOATING | 3500 |
| GANGWAY | PERMANENT | AERIAL | 465 |
| SHORELINE PROTECTION | PERMANENT | UNVEGETATED / SUBMERGED / GRADE | 9,900 |
| FILL BELOW HTL | PERMANENT | UNVEGETATED / SUBMERGED / GRADE | 9,890 (275 CY) |

PRELIMINARY - FOR PERMIT PURPOSES ONLY

REV 0

LANIER & ASSOCIATES
CONSULTING ENGINEERS
INCORPORATED
LA: EF-1120 TX: F-2981
NEW ORLEANS • BEAUMONT • CORPUS CHRISTI • HOUSTON

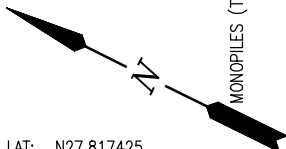
PORT OF CORPUS CHRISTI AUTHORITY
CORPUS CHRISTI
NUECES COUNTY, TEXAS

**FIRE BOAT DOCK
FLOATING DOCK FACILITY
PROPOSED SITE PLAN**

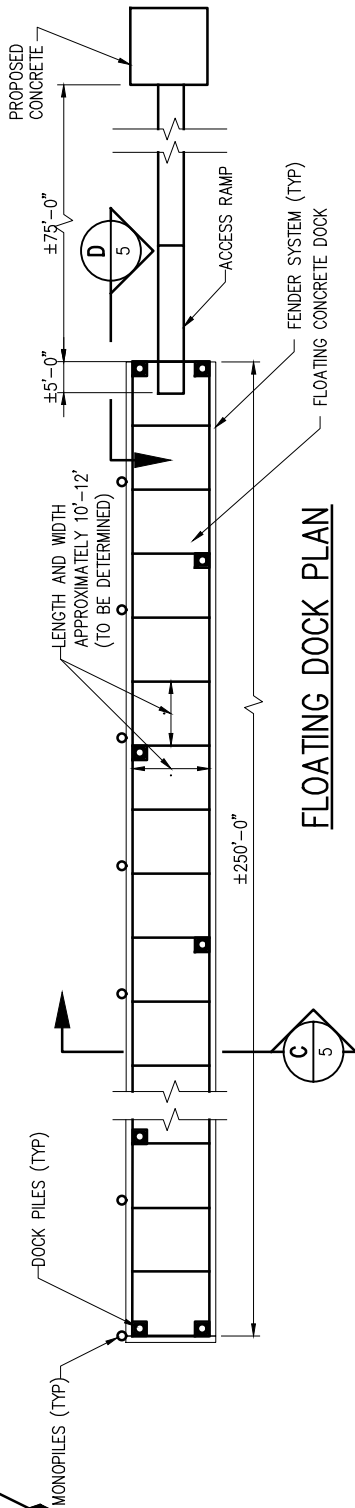
| | |
|----------------|-----------|
| DATE | 1/17/2022 |
| DESIGN | DLK |
| DRAWN | WPA |
| CHECK | RRM |
| JOB NO | 12002 |
| SHEET No. | |
| 3 OF 11 | |

J:\120005\12002 PCCA FIRE BOAT DOCK DRAWINGS\PERMIT\DWGS\12002 P3.DWG

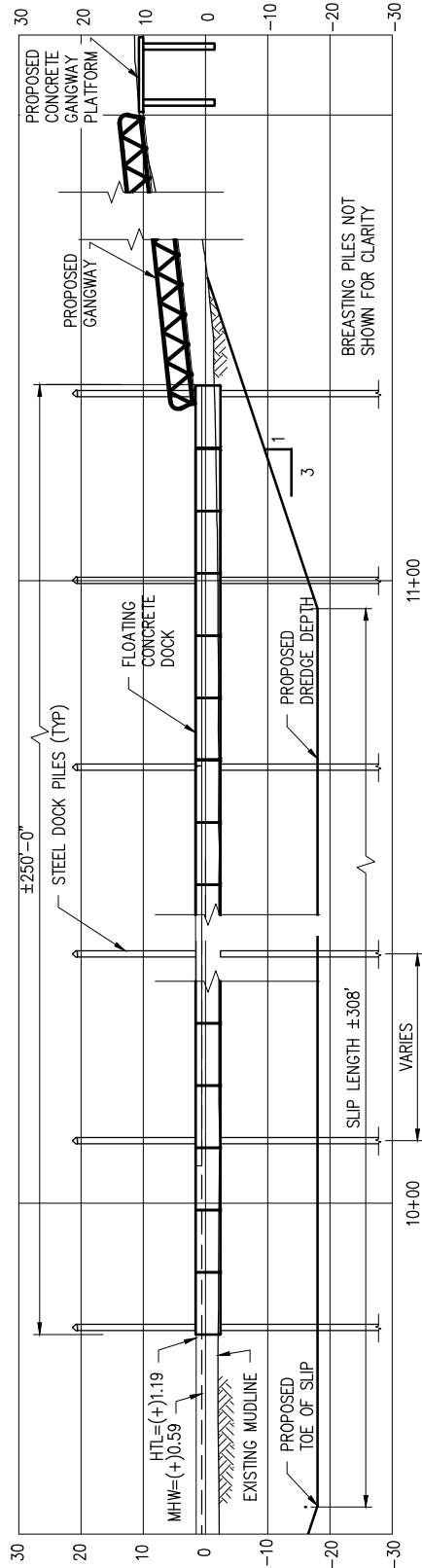
J:\120005\12002_POCCA FIRE BOAT DOCK\DRAWINGS\PERMIT\P-DWGS\12002 P4.DWG



LAT: N27.817425
LONG: W97.453589



FLOATING DOCK PLAN



FLOATING DOCK ELEVATION

MAX HIGH = (+) 4.32' MLLW
MAX LOW = (-) 1.12' MLLW
DESIGN HW = (+) 9.58' MLLW
DESIGN LW = (-) 1.5' MLLW



NOTES:
1. DATUM INFORMATION OBTAINED FROM NOAA STATION 8775296, USS LEXINGTON, CORPUS CHRISTI BAY, TX

PRELIMINARY - FOR PERMIT PURPOSES ONLY

REV 0



LANIER & ASSOCIATES
CONSULTING ENGINEERS
INCORPORATED

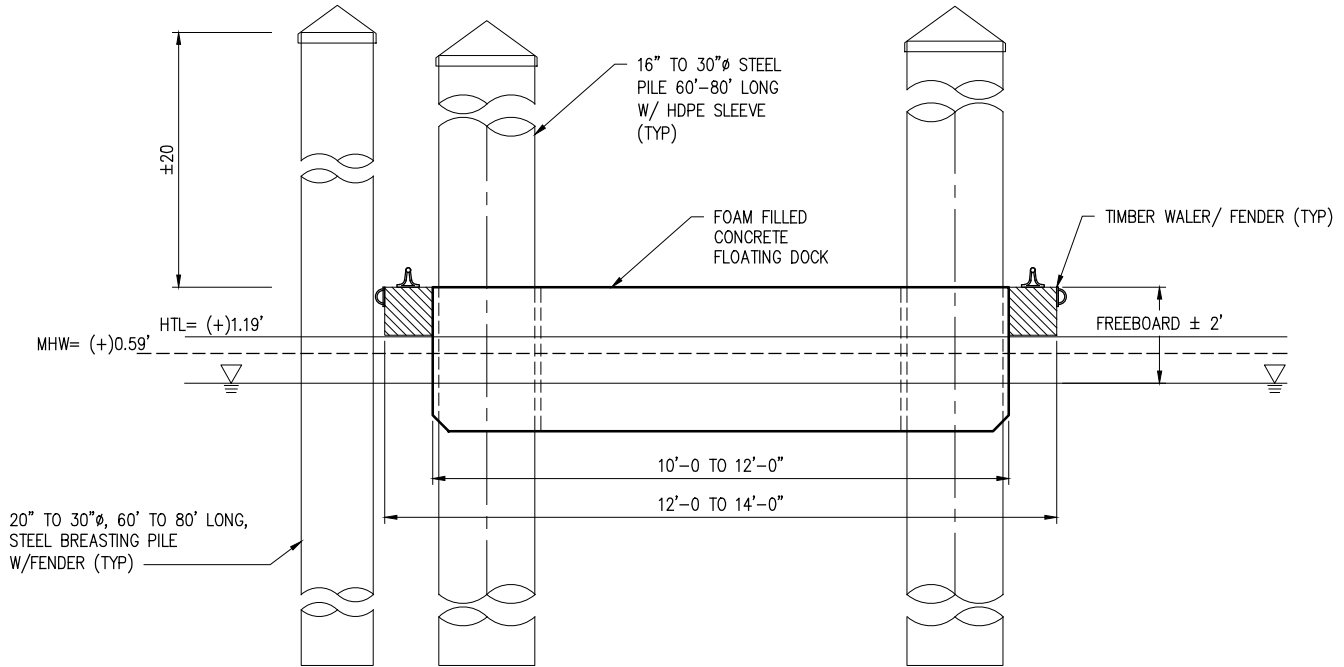
LA: EF-1120 TX: F-2981
NEW ORLEANS • BEAUMONT • CORPUS CHRISTI • HOUSTON

PORT OF CORPUS CHRISTI AUTHORITY
CORPUS CHRISTI
NUECES COUNTY, TEXAS

FIRE BOAT DOCK
FLOATING DOCK FACILITY
FLOATING DOCK PLAN AND ELEVATION

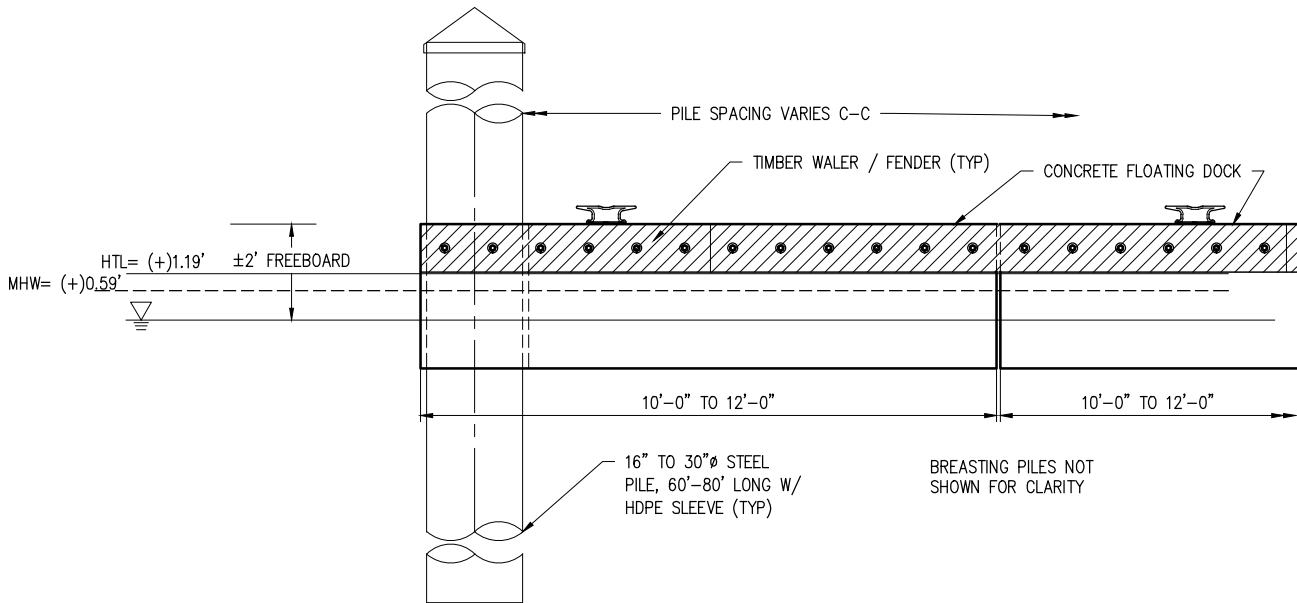
DATE 1/17/2022
DESIGN DLK
DRAWN WPA
CHECK RRM
JOB NO 12002
SHEET No.

4 OF 11



FLOATING DOCK SECTION C

SCALE: 1/4" = 1'-0"



FLOATING DOCK SECTION D

SCALE: 1/4" = 1'-0"



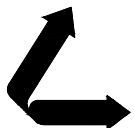
NOTES:

1. DATUM INFORMATION OBTAINED FROM NOAA STATION 8775296, USS LEXINGTON, CORPUS CHRISTI BAY, TX

LAT: N27.817425
LONG: W97.453589

PRELIMINARY - FOR PERMIT PURPOSES ONLY

REV
0



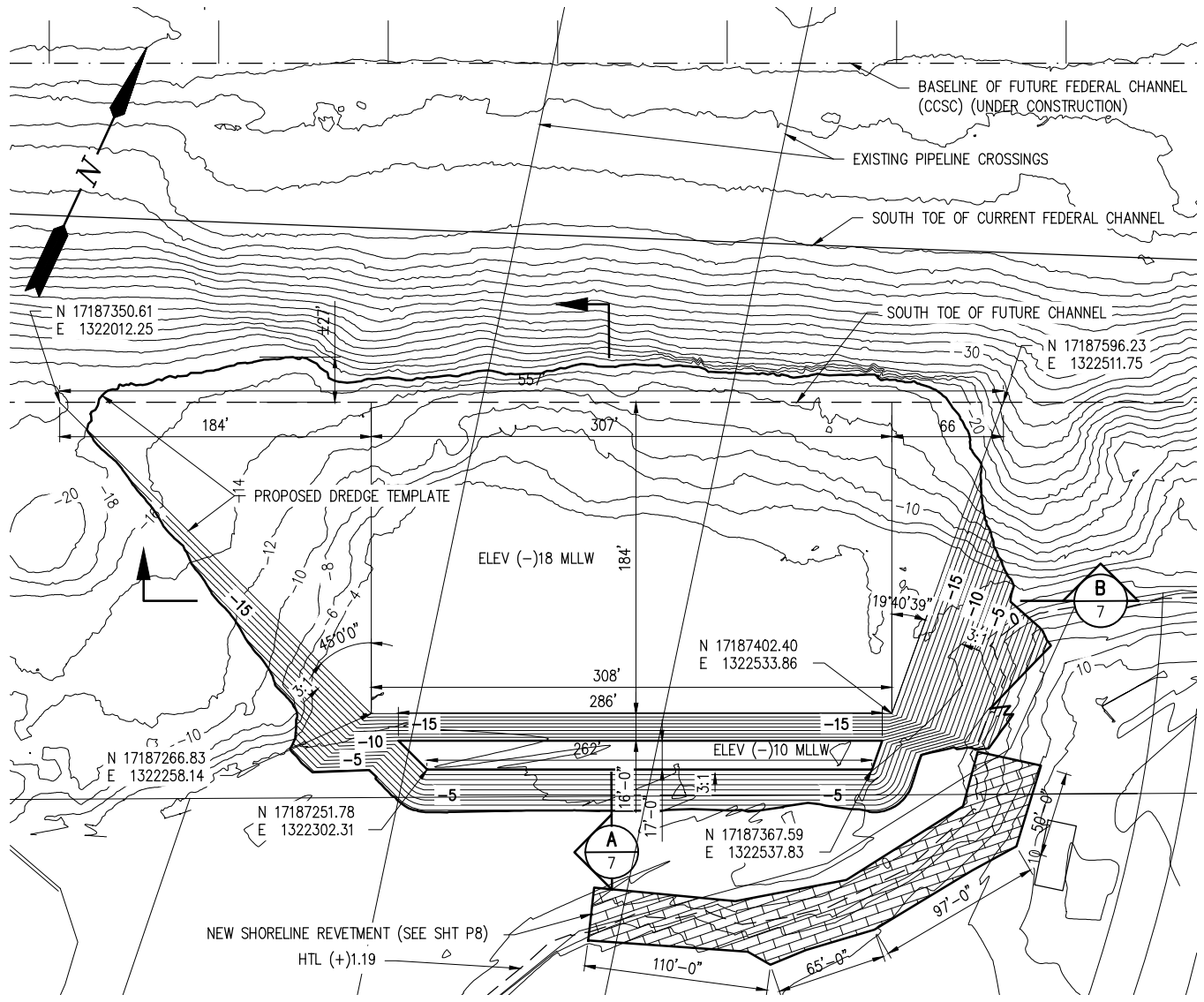
LANIER & ASSOCIATES
CONSULTING ENGINEERS
INCORPORATED

LA: EF-1120 TX: F-2981
NEW ORLEANS • BEAUMONT • CORPUS CHRISTI • HOUSTON

PORT OF CORPUS CHRISTI AUTHORITY
CORPUS CHRISTI NUECES COUNTY, TEXAS

FIRE BOAT DOCK
FLOATING DOCK FACILITY
DOCK SECTIONS

DATE 1/17/2022
DESIGN DLK
DRAWN WPA
CHECK RRM
JOB NO 12002
SHEET No.
5 OF 11



PROPOSED DREDGE PLAN

SCALE: 1"=100'

CHANNEL MAP PROVIDED BY USACE AND BASE
MAP PROVIDED BY PORT OF CORPUS CHRISTI
AUTHORITY (PCCA).

LAT: N27.817425
LONG: W97.453589

NOTES:

1. ADJACENT TO: CORPUS CHRISTI SHIP CHANNEL, INNER HARBOR
2. VERTICAL DATUM: MLLW
3. HORIZONTAL DATUM: TXSPS NAD83 (NSRS2011)

PRELIMINARY - FOR PERMIT PURPOSES ONLY

REV
0



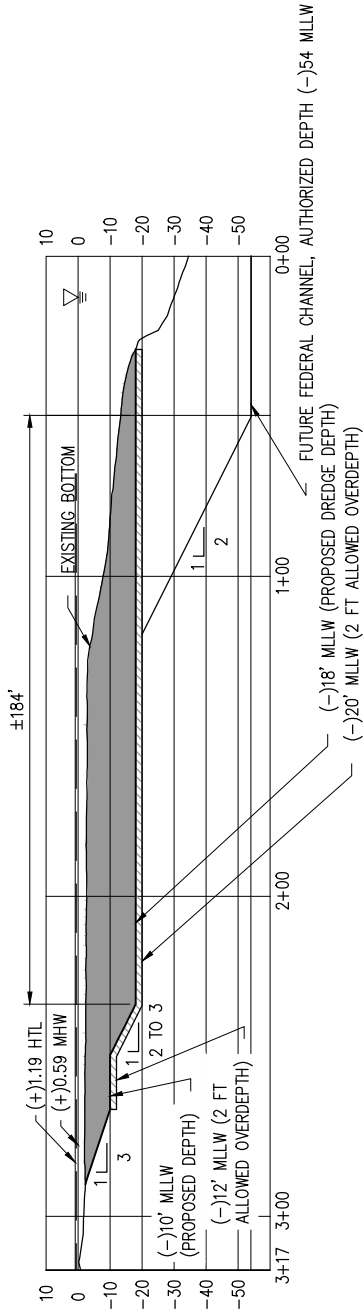
LANIER & ASSOCIATES
CONSULTING ENGINEERS
INCORPORATED

LA: EF-1120 TX: F-2981
NEW ORLEANS • BEAUMONT • CORPUS CHRISTI • HOUSTON

PORT OF CORPUS CHRISTI AUTHORITY
CORPUS CHRISTI NUECES COUNTY, TEXAS

**FIRE BOAT DOCK
FLOATING DOCK FACILITY
PROPOSED DREDGE PLAN**

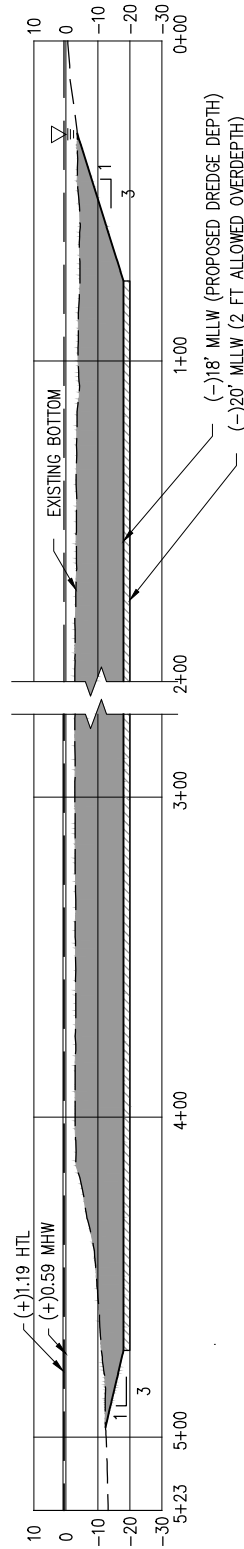
DATE 1/17/2022
DESIGN DLK
DRAWN WPA
CHECK RRM
JOB NO 12002
SHEET No.
6 OF 11



A
6

DREDGE SECTION

SCALE: 1"=60'



B
6

DREDGE SECTION

SCALE: 1"=60'

NOTES:

1. DATUM INFORMATION OBTAINED FROM NOAA STATION 8775296, USS LEXINGTON, CORPUS CHRISTI BAY, TX
2. VERTICAL DATUM: MLLW
3. HIGH TIDE LINE = (+)0.93'; MEAN HIGH WATER = (+)0.59'

PRELIMINARY - FOR PERMIT PURPOSES ONLY

REV
0



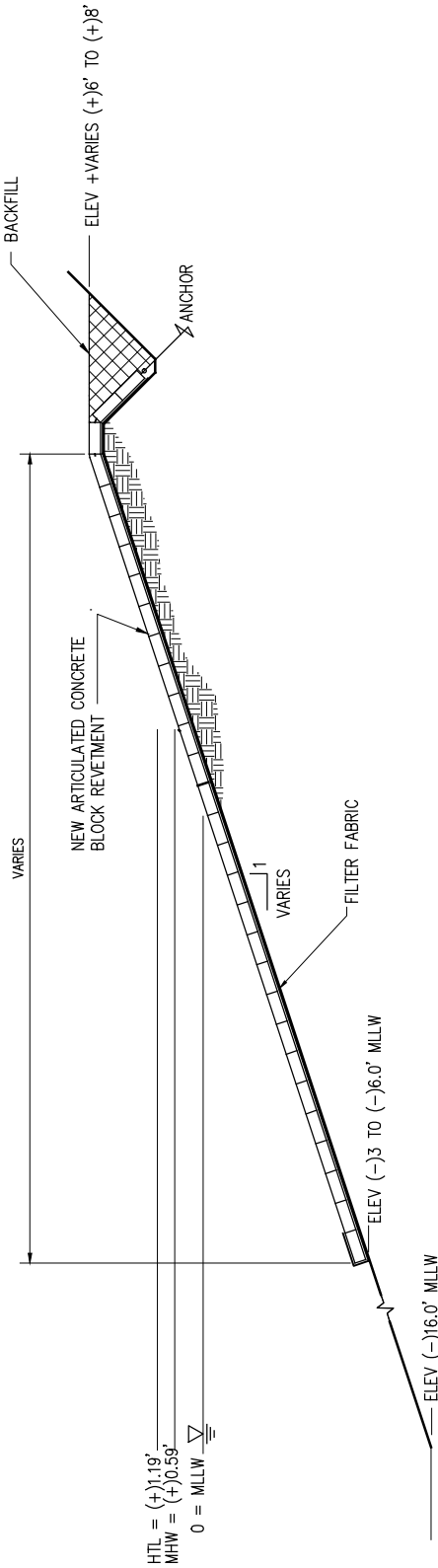
LANIER & ASSOCIATES
CONSULTING ENGINEERS
INCORPORATED

LA: EF-1120 TX: F-2981
NEW ORLEANS • BEAUMONT • CORPUS CHRISTI • HOUSTON

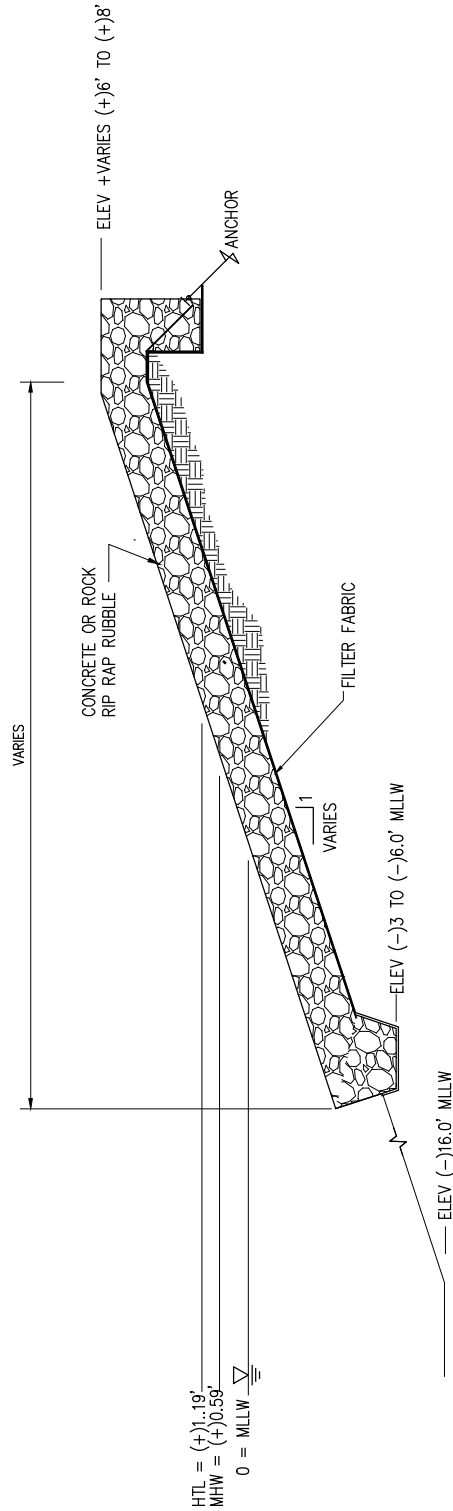
PORT OF CORPUS CHRISTI AUTHORITY
CORPUS CHRISTI NUECES COUNTY, TEXAS

**FIRE BOAT DOCK
FLOATING DOCK FACILITY
PROPOSED DREDGE SECTIONS**

DATE 1/17/2022
DESIGN DLK
DRAWN WPA
CHECK RRM
JOB NO 12002
SHEET No.
7 OF 11



ACB REVETMENT SHORELINE PROTECTION SECTION
SCALE: NTS



ALTERNATE - ROCK RIPRAP SHORELINE PROTECTION SECTION
SCALE: NTS

C
3

PRELIMINARY - FOR PERMIT PURPOSES ONLY

REV
0



LANIER & ASSOCIATES
CONSULTING ENGINEERS
INCORPORATED

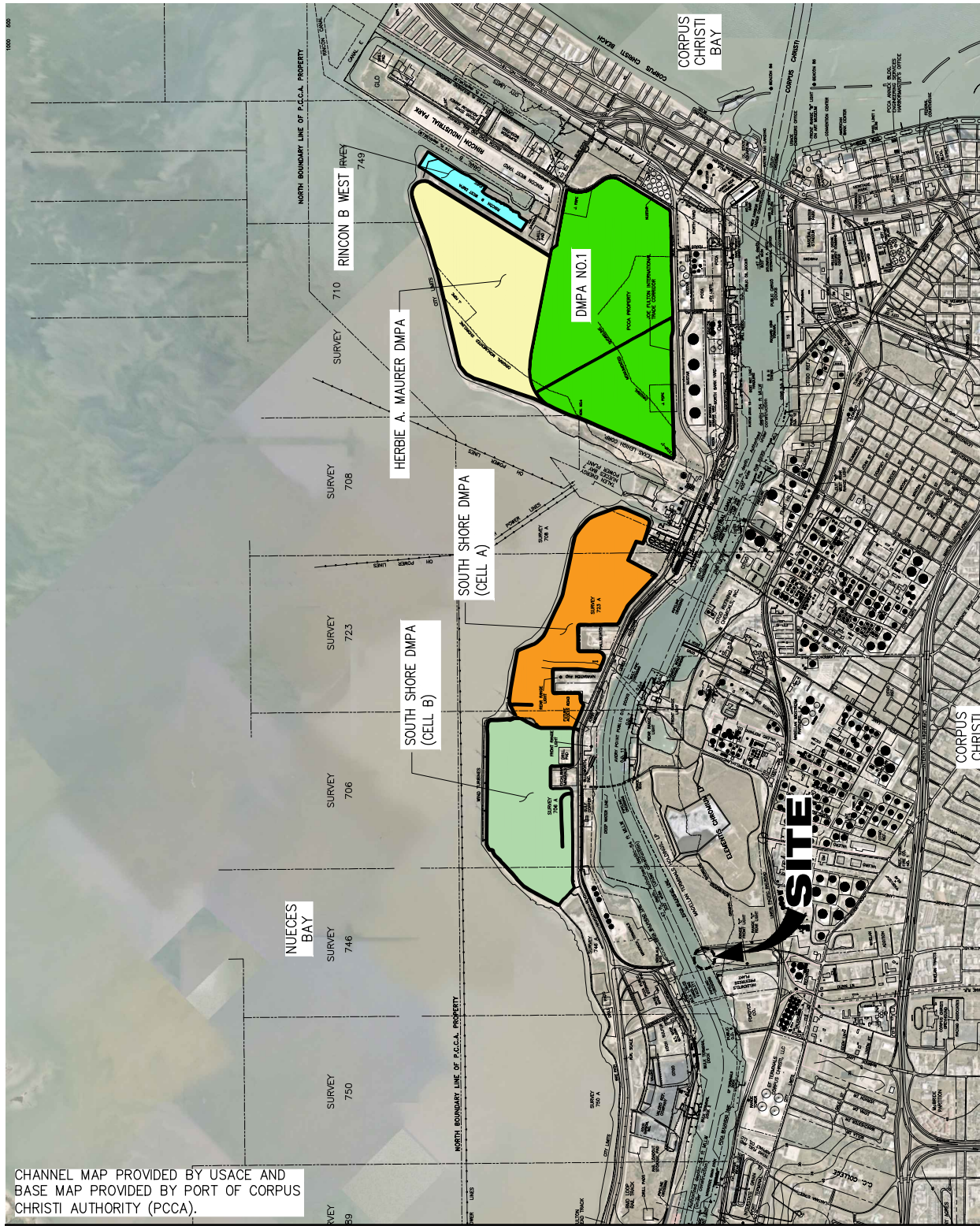
LA: EF-1120 TX: F-2981
NEW ORLEANS • BEAUMONT • CORPUS CHRISTI • HOUSTON

PORT OF CORPUS CHRISTI AUTHORITY
CORPUS CHRISTI NUECES COUNTY, TEXAS

FIRE BOAT DOCK
FLOATING DOCK FACILITY
SHORELINE PROTECTION SECTION

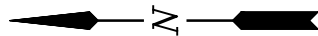
DATE 1/17/2022
DESIGN DLK
DRAWN WPA
CHECK RRM
JOB NO 12002
SHEET No.

8 OF 11



CHANNEL MAP PROVIDED BY USACE AND
BASE MAP PROVIDED BY PORT OF CORPUS
CHRISTI AUTHORITY (PCCA).

MATCHLINE - SEE SHEET P10



DMPA LOCATION MAP
SCALE: NTS

- LEGEND**
- SOUTH SHORE DMPA (CELL A)
 - SOUTH SHORE DMPA (CELL B)
 - HERBIE A. MAURER DMPA
 - DMPA NO. 1
 - RINCON B WEST

- NOTES:**
1. VERTICAL DATUM: MLLW
 2. HORIZONTAL DATUM: TXSPS NAD83 (NSRS2011)

PRELIMINARY - FOR PERMIT PURPOSES ONLY

REV
0



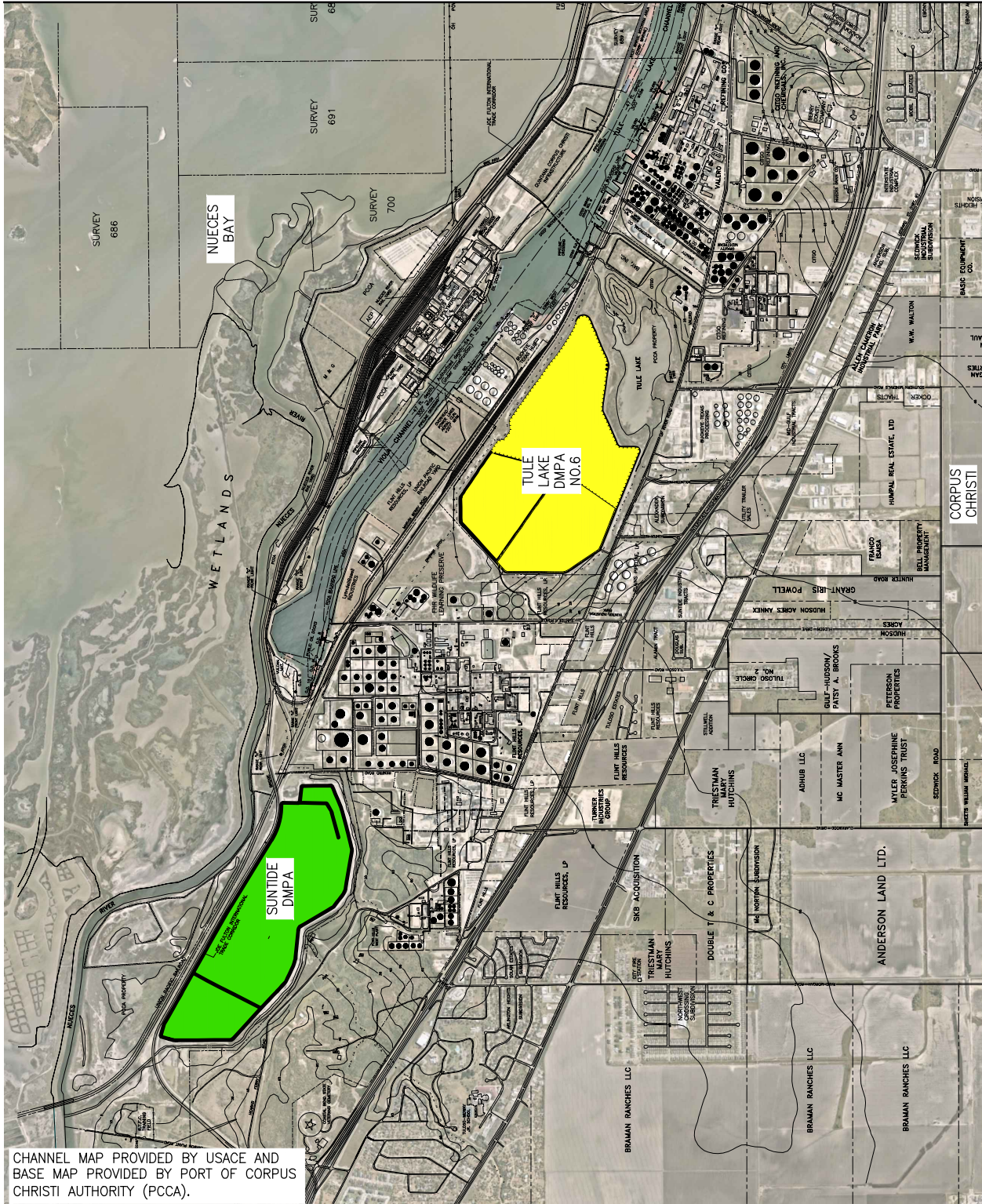
LANIER & ASSOCIATES
CONSULTING ENGINEERS
INCORPORATED

LA: EF-1120 TX: F-2981
NEW ORLEANS • BEAUMONT • CORPUS CHRISTI • HOUSTON

PORT OF CORPUS CHRISTI AUTHORITY
CORPUS CHRISTI
NUECES COUNTY, TEXAS

FIRE BOAT DOCK
FLOATING DOCK FACILITY
PERMITTED DMPA LOCATIONS 1 OF 3

DATE 1/17/2022
DESIGN DLK
DRAWN WPA
CHECK RRM
JOB NO 12002
SHEET No.
09 OF 11



CHANNEL MAP PROVIDED BY USACE AND
BASE MAP PROVIDED BY PORT OF CORPUS
CHRISTI AUTHORITY (PCCA).

DMPA LOCATION MAP

SCALE: NTS

LEGEND

- TULE LAKE DMPA NO 6
- SUNTIDE DMPA



PRELIMINARY - FOR PERMIT PURPOSES ONLY

REV 0



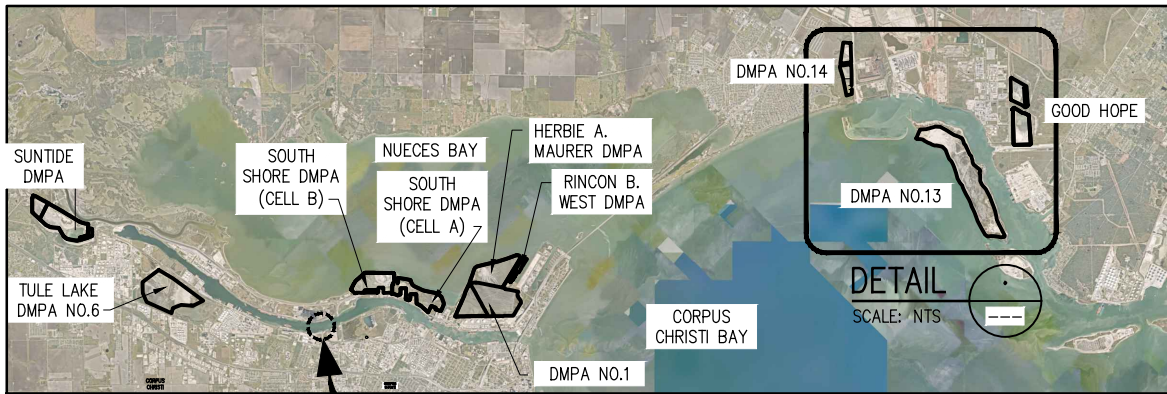
LANIER & ASSOCIATES
CONSULTING ENGINEERS
INCORPORATED

LA: EF-1120 TX: F-2981
NEW ORLEANS • BEAUMONT • CORPUS CHRISTI • HOUSTON

PORT OF CORPUS CHRISTI AUTHORITY
CORPUS CHRISTI NUECES COUNTY, TEXAS

**FIRE BOAT DOCK
FLOATING DOCK FACILITY
PERMITTED DMPA LOCATIONS 2 OF 3**

DATE 1/17/2022
DESIGN DLK
DRAWN WPA
CHECK RRM
JOB NO 12002
SHEET No.
10 OF 11



SITE



DETAIL DMPA LOCATION MAP

SCALE: NTS

PRELIMINARY - FOR PERMIT PURPOSES ONLY

REV
0



LANIER & ASSOCIATES
CONSULTING ENGINEERS
INCORPORATED

LA: EF-1120 TX: F-2981
NEW ORLEANS • BEAUMONT • CORPUS CHRISTI • HOUSTON

PORT OF CORPUS CHRISTI AUTHORITY
CORPUS CHRISTI NUECES COUNTY, TEXAS

**FIRE BOAT DOCK
FLOATING DOCK FACILITY
PERMITTED DMPA LOCATIONS 3 OF 3**

DATE 1/17/2022
DESIGN DLK
DRAWN WPA
CHECK RRM
JOB NO 12002
SHEET No.
11 OF 11